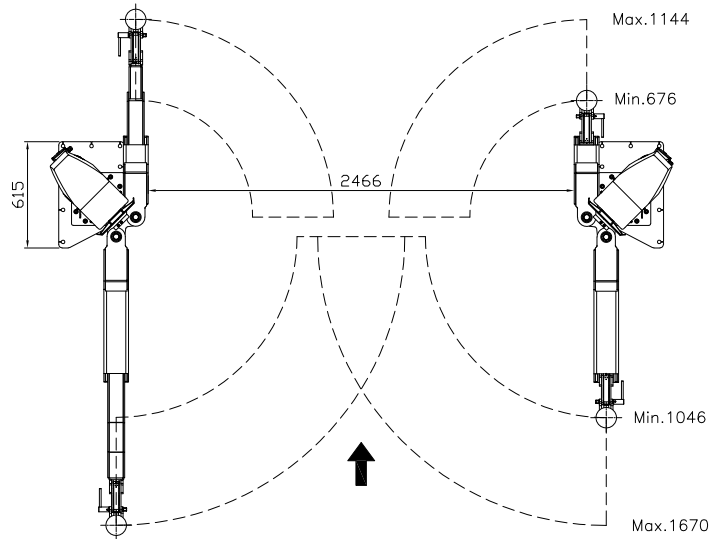
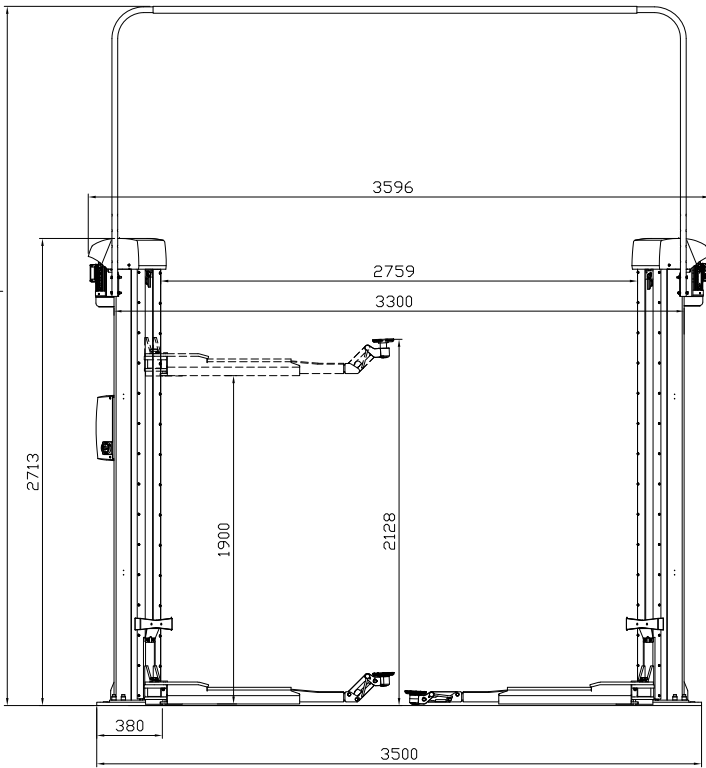
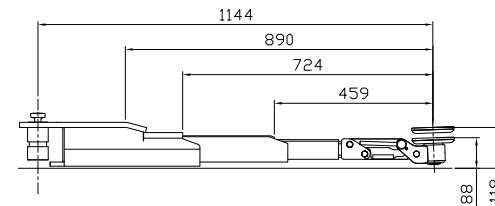
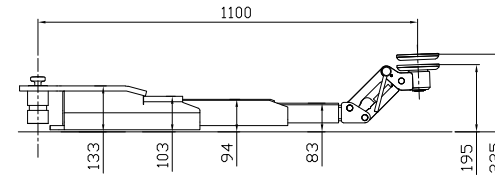


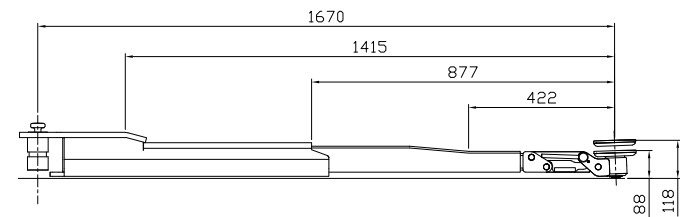
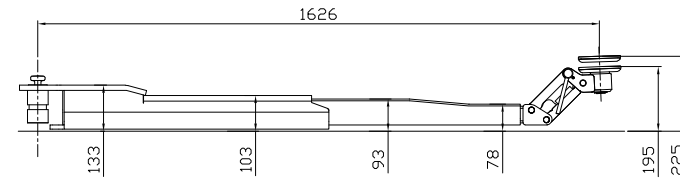
Min. 3990 / max. 4350 (portal 777958)
 Min. 4690 / max. 5050 (portal 777959)



Short arm



Long arm



Date: 260121

Sign. LJE

Scale: 1:35

No. T 1 2 3 5 2

UPLIFTING COMPANY
AUTOPSTENHOJ

Maestro 2.35 CF
 Premium (P)
 ST/DT
 Rev. date: 120422