

A heavy duty RAL 3002 5012 7040

GALVANIZED AND POWDER COATED STRUCTURE / STRUTTURA ZINCATA E VERNICIATA

ø 410 mm
drum/tamburo

optional page 88-93

INLET HOSE



ACS15



ASG15R



P38AV



II 2G/D
optional

ordering the "ATEX" version indicating the hose reel code preceded by "EX"
ordinare la versione "ATEX" indicando il codice dell'avvolgitubo preceduto da "EX"

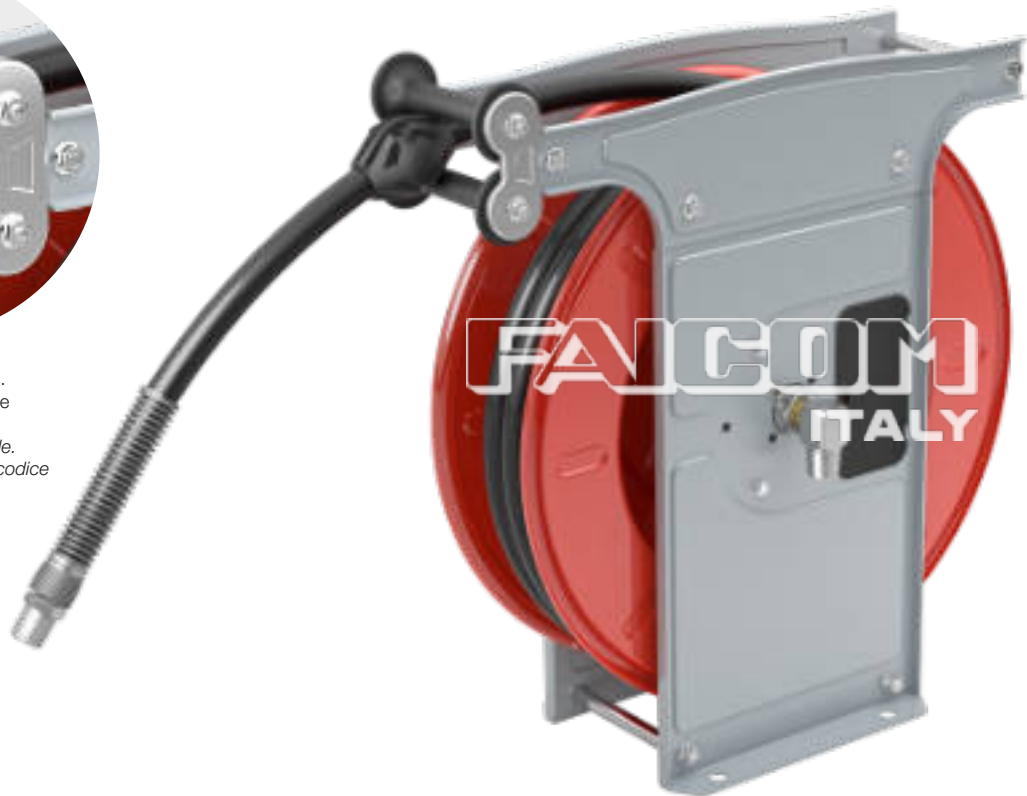


4R - Optional 4-roller hose guide.

Ordering the version indicating the hose reel code followed by "4R"

4R - Guida tubo a 4 rulli opzionale.

Ordinare la versione indicando il codice dell'avvolgitubo seguito da "4R"



EN Automatic hose reels suitable for the distribution of fluids at different pressure and temperature conditions. The parts in contact with the fluid have metal details and high-quality gaskets. The hose-guide support can be mounted in two different positions according to the hose reel installation (pos. A-B). Optional: connection hose, revolving stand, 4-roller hose-guide, fixing bracket.

FR Enrouleurs automatiques utilisés pour distribuer des fluides à différentes pressions et températures. Composants en contact avec le fluide constitués de pièces métalliques et de joints de haute qualité. Support guide-tuyau applicable en 2 positions différentes pour permettre l'installation souhaitée (pos. A-B).

En option: tuyau de connexion, support pivotant, guide tuyau 4 rouleaux, contre-étrier de fixation.

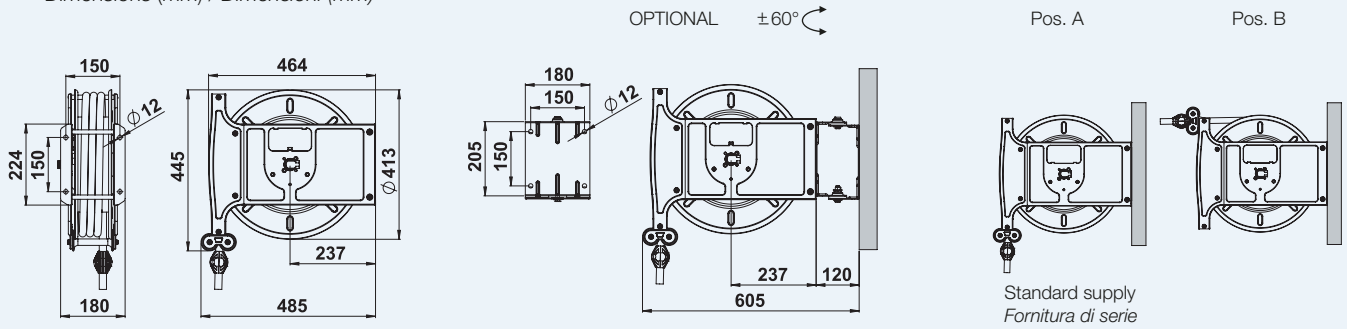
DE Schlauchaufroller zur Abgabe von versch. Flüssigkeiten untersch. Betriebstemperaturen und -drücke. Teile mit Kontakt von Flüssigkeiten aus spez. Metallen und Dichtungen hoher Qualität. Wandbefestigung für 2 versch. Positionen (s.Abb. A-B). Optional: Verbindungsschlauch, Schwenkkonsole, Schlauchführung mit 4 Rollen und Wandbefestigung.

ES Enrolladores automáticos preparados para distribuir fluidos con diversas condiciones de presión y temperatura. Componentes en


contacto con el fluido constituidos por partes metálicas y guarniciones de alta calidad. Soporte guía manguera aplicable en dos diversas posiciones para permitir la instalación deseada (pos. A-B). Opcional: manguera de conexión, soporte giratorio, guía de manguera de 4 rodillos, sujeción para fijación.

IT Avvolgitubo automatici adatti per distribuire fluidi a diverse pressioni e temperature. Parti a contatto con il fluido costituite da particolari metallici e guarnizioni di elevata qualità. Supporto guidatubo applicabile in due diverse posizioni per consentire l'installazione desiderata (pos. A-B). Optional: tubo di collegamento, supporto girevole, guidatubo a 4 rulli, controstaffa di fissaggio.

Dimensions (mm) / Dimensioni (mm)




Hose reels model A without hose / Avvolgitubo modello A senza tubo

Fluid Fluido	Max. pressure Pressione max.	Code Codice	Inlet (Bsp) Entrata (Gas)	Outlet (Bsp) Uscita (Gas)	Capacity Capacità	Weight (kg) Peso (kg)	ATEX  (optional)
Air/Aria Water/Acqua Oil/Olio	60 bar/870 psi	A603815ST	3/8" F	3/8" M	15 m/50 ft	15,5	•
		A601215ST	1/2" M	1/2" M	15 m/50 ft	15,5	•
Air/Aria Water/Acqua	18 bar/260 psi	A183820ST	3/8" F	3/8" M	(ext. Ø17) 20 m/65ft	15,5	•
Air/Aria	18 bar/260 psi	A183825ST	3/8" F	3/8" M	(ext. Ø14) 25 m/80ft	15,5	•
Grease/Grasso	400 bar/5800 psi	A4G1415ST	1/4" F	1/4" M	15 m/50 ft	15,5	•
Water/Acqua 150°C	400 bar/5800 psi	A4H3815ST	3/8" F	3/8" M	15 m/50 ft	15,5	•
		*A4H3815STMX	3/8" F	3/8" M	15 m/50 ft	15,5	•

*With stainless steel swivel and shaft / Con giunto e mozzo in acciaio inox

Hose reels model A with hose / Avvolgitubo modello A completi di tubo

Fluid Fluido	Pressure - Hose Pressione - Tubo	Code Codice	Inlet (Bsp) Entrata (Gas)	Outlet (Bsp) Uscita (Gas)	Hose diam. Tubo diam.	Hose length Lungh. Tubo	Weight (kg) Peso (kg)	Inlet hose Tubo entrata	ATEX  (optional)
Oil/Olio	60 bar/870 psi 1SC Rubber/Gomma	A603810	3/8" F	3/8" M	3/8"	10 m/32 ft	19	TC38005	
		A603815	3/8" F	3/8" M	3/8"	15 m/50 ft	20	TC38005	•
		A601210	1/2" M	1/2" M	1/2"	10 m/32 ft	19	TC12005	
		A601215	1/2" M	1/2" M	1/2"	15 m/50 ft	21	TC12005	•
Grease Grasso	400 bar/5800 psi 2SN Rubber/Gomma	A4G1410	1/4" F	1/4" M	1/4"	10 m/32 ft	19	TC14005	
		A4G1415	1/4" F	1/4" M	1/4"	15 m/50 ft	21	TC14005	•
Water Acqua 150°C	250 bar/3625 psi 1SC Hydro blue	A2H3815	3/8" F	3/8" M	3/8"	15 m/50 ft	21	TC38005H	
		A4H3810	3/8" F	3/8" M	3/8"	10 m/32 ft	20	TC38005H	
	400 bar/5800 psi 2SC Hydro blue	A4H3815	3/8" F	3/8" M	3/8"	15 m/50 ft	22	TC38005H	•
		A4H5115	3/8" F	3/8" M	5/16"	15 m/50 ft	21	TC38005H	•