

BG-BGD heavy duty

 BG RAL **3002** **5012** **7040** BGD RAL **7040**
GALVANIZED AND POWDER COATED STRUCTURE / STRUTTURA ZINCATA E VERNICIATA

ø 550 mm
drum/tamburo

optional [page 88-93](#)

BGSG30 for/ per BG

BGDSG40 for/ per BGD

PGA60S

PGA120S



II 2G/D
optional

ordering the "ATEX" version indicating the hose reel code preceded by "EX"
ordinare la versione "ATEX" indicando il codice dell'avvolgitubo preceduto da "EX"

Spring side with guide-hose arm in "B" position
Lato molla con braccio guidatubo in posizione B



EN Automatic hose reels suitable for the distribution of fluids at different pressure and temperature conditions through hoses having a maximum diameter of 1". Single-support structure with an outer spring and drum rotation on ball bearings. Hose-guide arm adjustable in three different positions according to the hose reel installation (pos. A-B-C). Standard: connection hose for versions with hose, lateral protective covers (not available for mod. ATEX), 4-roller hose guide. Optional: revolving stand.

FR Enrouleurs automatiques utilisés pour distribuer des fluides à différentes pressions et températures avec flexibles jusqu'à 1" de diamètre. Structure à support unique avec ressort extérieur, rotation du tambour sur roulements à billes. Bras guide-tuyau orientable en 3 positions différentes pour permettre l'installation souhaitée (pos. A-B-C). De série:

tuyau de connexion pour versions avec tuyau, couvercles latéraux de protection (pas disponibles pour mod. ATEX), guide tuyau 4 rouleaux. En option: support pivotant.

DE Schlauchaufroller zur Abgabe von versch. Flüssigkeiten untersch. Betriebstemperaturen und -drücke bis zu 1" Schlauchdurchmesser. Einfachhalterung mit äußerer Aufzugsfeder, kugelgelagerte Schlauchtrommel. Schwenkbare Arme für 3 versch. Positionen (s. Abb. A-B-C). Serienmäßig: Verbindungsschlauch bei Versionen mit Schlauch, Schlauchführung mit 4 Rollen, seitliche Schutzverkleidungen (nicht verfügbar für mod. ATEX). Optional: Schwenkkonsole.

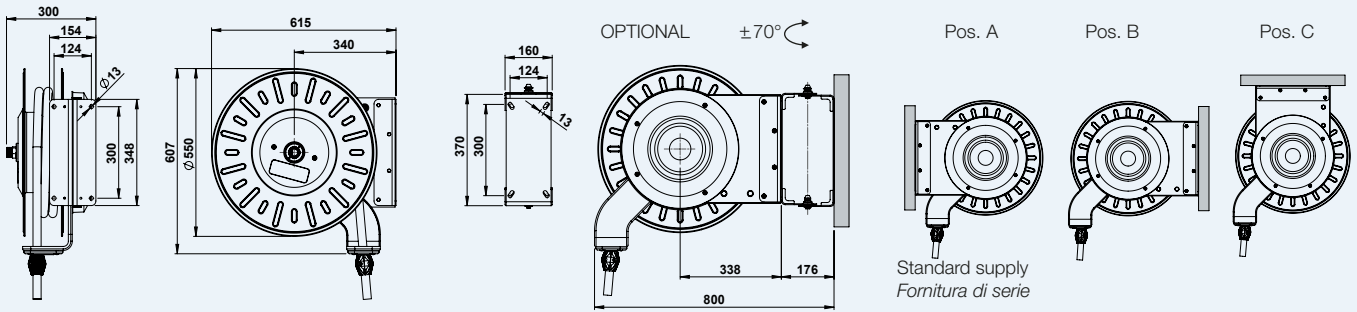
ES Enrolladores automáticos preparados para distribuir diversos fluidos con diversas condiciones de presión y temperatura con manguera de hasta 1" de diámetro. Estructura

de un único soporte con muelle exterior, rotación del tambor sobre cojinetes de rodamiento. Brazo guía manguera fijable en tres diversas posiciones para permitir la instalación deseada (pos. A-B-C). Estándar: manguera de conexión para versiones con manguera, tapas laterales de protección (no disponibles para mod. ATEX), guía manguera de 4 rodillos. Opcional: Soporte giratorio.

IT Avvolgitubo automatici adatti per distribuire fluidi a diverse pressioni e temperature con tubi aventi diametro massimo 1". Struttura monosupporto con molla esterna, rotazione del tamburo su cuscinetti a sfera. Braccio guidatubo orientabile in tre diverse posizioni per consentire l'installazione desiderata (pos. A-B-C). Di serie: tubo di collegamento per versioni con tubo, carter laterali di protezione (non disponibili per mod. ATEX), guidatubo a 4 rulli. Optional: supporto girevole.

BG

Dimensions (mm) / Dimensioni (mm)



BGD



Hose reels model BG/BGD without hose / Avvolgitubo modello BG/BGD senza tubo

| Fluid Fluido | Max. pressure Pressione max. | Code Codice | Inlet (Bsp) Entrata (Gas) | Outlet (Bsp) Uscita (Gas) | Capacity Capacità | Weight (kg) Peso (kg) | ATEX (optional) |
|------------------------------------|---------------------------------|----------------|------------------------------|------------------------------|--|--------------------------|------------------|
| Air/Aria | 18 bar/260 psi | BG181230ST | 1/2" M | 1/2" M | 30 m/100 ft | 34 | • |
| Water/Acqua Diesel fuel/Gasolio | 60 bar/870 psi | BG600125ST | 1" M | 3/4" F | (5/8") 25 m/80 ft • (3/4") 20 m/65 ft (1") 15 m/50 ft | 33 | • |
| Grease/Grasso | 400 bar/5800 psi | BG4G3830ST | 3/8" F | 3/8" M | 30 m/100 ft | 36 | • |
| Water/Acqua 150°C | 400 bar/5800 psi | BG4H3830ST | 3/8" F | 3/8" M | 30 m/100 ft | 36 | • |
| | 60 bar/870 psi | △BG600125STMX | 1" M | 3/4" F | (3/4") 20 m/65 ft • (1") 15 m/50 ft | 33 | • |
| Water/Acqua 150°C | 400 bar/5800 psi | BGD4H1250ST | 1/2" M | 3/8" M 1/2" M | (5/16") 50 m/160 ft (3/8"-1/2") 40 m/130 ft | 40 | • |

△ With stainless steel swivel and shaft / Con giunto e mozzo in acciaio inox

Hose reels model BG with hose / Avvolgitubo modello BG completi di tubo

| Fluid Fluido | Pressure - Hose Pressione - Tubo | Code Codice | Inlet (Bsp) Entrata (Gas) | Outlet (Bsp) Uscita (Gas) | Hose diam. Tubo diam. | Hose length Lungh. Tubo | Weight (kg) Peso (kg) | ATEX (optional) |
|--|--------------------------------------|----------------|------------------------------|------------------------------|--------------------------|----------------------------|--------------------------|------------------|
| Air/Aria Water/Acqua Diesel fuel/Gasolio | 18 bar/260 psi Rubber/Gomma | BG181325 | 1/2" F | 1/2" M | 13 x 20 | 25 m/80 ft | 42 | • |
| | | BG181330 | 1/2" F | 1/2" M | 13 x 20 | 30 m/100 ft | 43 | • |
| | | BG181625 | 1/2" F | 1/2" M | 16 x 23 | 25 m/80 ft | 43 | • |
| | | BG181920 | 3/4" F | 3/4" M | 19 x 27 | 20 m/65 ft | 43 | • |
| | | BG182515 | 1" F | 1" F | 25 x 34 | 15 m/50 ft | 44 | • |
| Oil/Olio | 60 bar/870 psi 1SC Rubber/Gomma | BG601225 | 1/2" F | 1/2" F | 1/2" | 25 m/80 ft | 44 | • |
| | | BG601230 | 1/2" F | 1/2" F | 1/2" | 30 m/100 ft | 48 | • |
| | | BG603420 | 3/4" F | 3/4" F | 3/4" | 20 m/65 ft | 44 | • |
| Grease/Grasso | 400 bar/5800 psi 2SC Rubber/Gomma | BG600115 | 1" F | 1" F | 1" | 15 m/50 ft | 43 | • |
| | | BG4G3825 | 3/8" F | 3/8" F | 3/8" | 25 m/80 ft | 45 | • |
| | | BG4G3830 | 3/8" F | 3/8" F | 3/8" | 30 m/100 ft | 48 | • |
| Water/Acqua 150°C | 400 bar/5800 psi 2SC Hydro blue | BG4H3825 | 3/8" F | 3/8" M | 3/8" | 25 m/80 ft | 45 | • |
| | | BG4H3830 | 3/8" F | 3/8" M | 3/8" | 30 m/100 ft | 48 | • |
| | | BG3H1225 | 1/2" F | 1/2" F | 1/2" | 25 m/80 ft | 50 | • |
| | 300 bar/4350 psi 2SC Hydro blue | BG3H1230 | 1/2" F | 1/2" F | 1/2" | 30 m/100 ft | 55 | • |

□ Fitting of the connection hose / Raccordo del tubo di collegamento