

BGX-BGDX heavy duty

STAINLESS STEEL AISI 304 / ACCIAIO INOX AISI 304

ø 550 mm
drum/tamburo

optional [page 88-93](#)

BGXSG30 for/per BGX
BGDXSG40 for/per BGDX



P12A70/80/95



II 2G/D
optional

ordering the "ATEX" version indicating the hose reel code preceded by "EX"
ordinare la versione "ATEX" indicando il codice dell'avvolgitubo preceduto da "EX"

Spring side with guide-hose arm in "B" position
Lato molla con braccio guidatubo in posizione B



EN Automatic hose reels designed for washing operations with water and detergent. Specific versions with food-quality hose suitable for the passage of water that comes in contact with foodstuffs are also available. Single-support structure with outer spring and drum rotates on ball bearings. Hose-guide arms adjustable in three different positions according to the hose reel installation (pos. A-B-C). Standard: connection hose for versions with hose, lateral protective covers (not available for mod. ATEX), 4-roller hose guide. Optional: revolving stand.

FR Enrouleurs automatiques particulièrement adaptés pour opérations de lavage à l'eau et détergents. Versions avec tuyau de qualité alimentaire indiquées aussi pour le passage d'eau en contact avec les denrées alimentaires. Structure à support unique avec ressort externe, rotation du tambour sur roulements à billes. Bras guide-tuyau orientables en 3 positions différentes pour permettre l'installation souhaitée (pos. A-B-C). De série: tuyau de connexion pour versions avec tuyau, couvercles latéraux de protection (pas disponibles pour mod. ATEX), guide tuyau 4 rouleaux. En option: support pivotant.

DE Schlauchaufroller für Waschvorgänge mit Wasser und Reinigungsmittel, sowie bei lebensmittelechtem Schlauch auch zum Transport von Wasser für den Kontakt mit Lebensmitteln. Einfachhalterung mit äußerer Aufzugsfeder, kugelgelagerte Schlauchtrommel. Schwenkbare Arme für 3 versch. Positionen (s. Abb. A-B-C). Serienmäßig: Verbindungsschlauch bei Versionen mit Schlauch, Schlauchführung mit 4 Rollen, seitliche Schutzverkleidungen (nicht



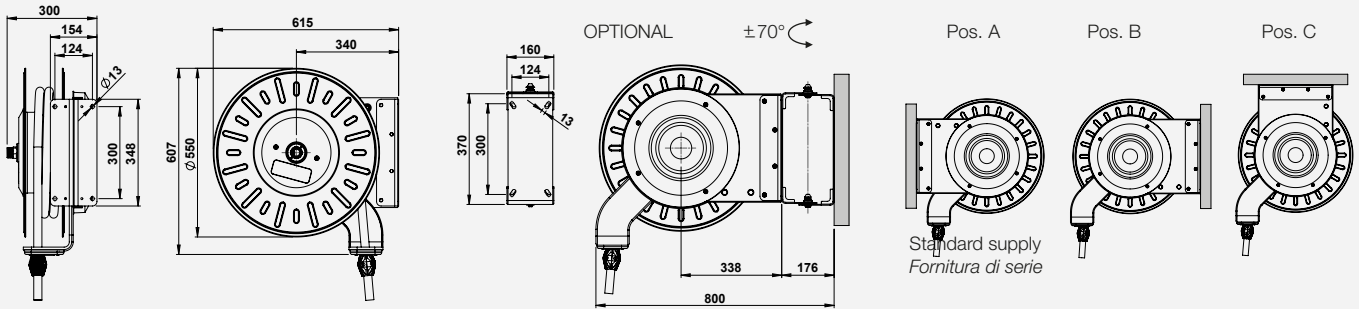
verfügbar für mod. ATEX).
Optional: Schwenkkonsole.

ES Enrolladores automáticos ideados especialmente para el lavado con agua y detergentes. Versiones con mangueras de calidad alimentaria idóneos también para el paso de agua por contacto con productos alimenticios. Estructura de un único soporte con muelle exterior, rotación del tambor sobre cojinetes de rodamiento. Brazo guía manguera fijable en tres diversas posiciones para permitir la instalación deseada (pos. A-B-C). Estándar: manguera de conexión en los modelos con manguera, tapas laterales de protección (no disponibles para mod. ATEX), guía manguera

de 4 rodillos. Opcional: soporte giratorio.

IT Avvolgitubo automatici particolarmente adatti per operazioni di lavaggio con acqua e detersivi. Versioni con tubo di qualità alimentare idonee anche per passaggio di acqua per contatto con i prodotti alimentari. Struttura monosupporto con molla esterna, rotazione del tamburo su cuscinetti a sfera. Bracci guidatubo orientabili in tre diverse posizioni per consentire l'installazione desiderata (pos. A-B-C). Di serie: tubo di collegamento per versioni con tubo, carter laterali di protezione (non disponibili per mod. ATEX), guidatubo a 4 rulli. Optional: supporto girevole.


BGX Dimensions (mm) / Dimensioni (mm)




BGDx Dimensions (mm) / Dimensioni (mm)



Hose reels model BGX/BGDx without hose / Avvolgitubo modello BGX/BGDx senza tubo

Fluid Fluido	Max. pressure Pressione max.	Code Codice	Inlet Entrata	Outlet Uscita	Capacity Capacità	Weight (kg) Peso (kg)	ATEX  (optional)
Water Acqua 150°C	60 bar/870 psi	BGX601230ST	1/2" M	1/2" M	30 m/100 ft	33	•
		BGX600125ST	1" M	3/4" F	(5/8") 25 m/80 ft (3/4") 20 m/65 ft (1") 15 m/50 ft	33	•
	400 bar/5800 psi	BGX4H3830ST	3/8" F	3/8" M	30 m/100 ft	36	•
		BGX4H1230ST	1/2" M	1/2" M	30 m/100 ft	36	•
Water Acqua 150°C	400 bar/5800 psi	BGDx4H1250ST	1/2" M	3/8" M 1/2" M	(5/16") 50 m/160 ft (3/8"-1/2") 40 m/130 ft	40	•

Hose reels model BGX with hose / Avvolgitubo modello BGX completi di tubo

Fluid Fluido	Pressure - Hose Pressione - Tubo	Code Codice	□ Inlet (Bsp) □ Entrata (Gas)	Outlet (Bsp) Uscita (Gas)	Hose diam. Tubo diam.	Hose length Lungh. Tubo	Weight (kg) Peso (kg)	ATEX  (optional)
Water Acqua 70°C	10 bar/145 psi (70°C) 20 bar/290 psi (25°C) Blue Thermoplastic	BGX101325K	1/2" F	1/2" M	13 x 20	25 m/80 ft	41	
		BGX101330K	1/2" F	1/2" M	13 x 20	30 m/100 ft	42	
		BGX101625K	1/2" F	1/2" M	16 x 23	25 m/80 ft	42	
	40 bar/580 psi (70°C) 60 bar/870 psi (25°C) Blue Thermoplastic	BGX101920K	3/4" F	3/4" M	19 x 27	20 m/65 ft	42	
		BGX102515K	1" F	1" F	25 x 34	15 m/50 ft	44	
		BGX401330KH	1/2" F	1/2" M	13 x 20	30 m/100 ft	41	
Water Acqua 90°C	10 bar/145 psi (90°) 20 bar/290 psi (25°C) Blue Rubber/Gomma	BGX401920KH	3/4" F	3/4" M	19 x 28	20 m/65 ft	42	
		BGX101920KR	3/4" F	3/4" M	19 x 28	20 m/65 ft	42	
Water Acqua 150°C	400 bar/5800 psi 2SC Hydro blue	BGX4H3825	3/8" F	3/8" M	3/8"	25 m/80 ft	45	
		BGX4H3830	3/8" F	3/8" M	3/8"	30 m/100 ft	48	•
		*BGX4H3825X	3/8" F	3/8" F	3/8"	25 m/80 ft	45	
	300 bar/4350 psi 2SC Hydro blue	BGX3H1225	1/2" F	1/2" F	1/2"	25 m/80 ft	50	
		BGX3H1230	1/2" F	1/2" F	1/2"	30 m/100 ft	55	•

* Hose with stainless steel fittings / Tubo con raccordi in acciaio inox - □ Fitting of the connection hose / Raccordo del tubo di collegamento